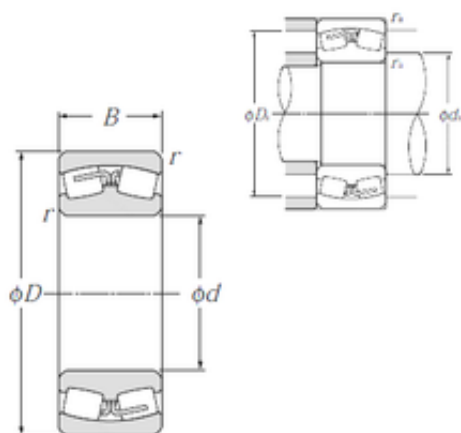




# NTN BEARING-BOWER CORP.

## 560 mm x 920 mm x 280 mm NTN 231/560B Spherical Roller Bearings



Bearing No. 231/560B

Size	560x920x280 mm
Bore Diameter	560 mm
Outer Diameter	920 mm
Width	280 mm
d	560 mm
D	920 mm
B	280 mm
C	280 mm
r min.	7,5 mm
da min.	596 mm
Da max.	884 mm
ra max.	6 mm
Weight	752 Kg
Basic dynamic load rating (C)	7 650 kN
Basic static load rating (C0)	15 500 kN
(Grease) Lubrication Speed	280 r/min
(Oil) Lubrication Speed	370 r/min
Calculation factor (e)	0,3
Calculation factor (Y0)	2,22
Calculation factor (Y1)	2,27
d2	678.5 mm
D1	800.8 mm
rs min	7.5 mm
Number of lubrication holes	8
b	33 mm

231/560B Bearing 2D drawings and 3D CAD models



## NTN BEARING-BOWER CORP.

k	20 mm
e	0.3
Y1	2.27
Y2	3.38
Y0	2.22
Radial clearance class	CN
Dynamic load, C	7,650 kN
Static load, C0	15,500 kN
Fatigue limit load, Cu	892 kN
Nref	310 rpm
Nlim	560 rpm
Min operating temperature, Tmin	-40 ° C
Max operating temperature, Tmax	120 ° C
Characteristic cage frequency, FTF	0.44 Hz
Characteristic rolling element frequency, BSF	8.56 Hz
Characteristic outer ring frequency, BPF0	10.2 Hz
Characteristic inner ring frequency, BPFI	12.8 Hz
da min	592 mm
Da max	888 mm
ra max	6 mm