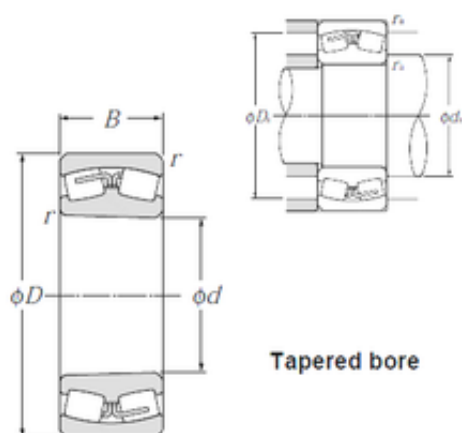




NTN BEARING-BOWER CORP.

1120 mm x 1 580 mm x 345 mm NTN 230/1120BK Spherical Roller Bearings



Bearing No. 230/1120BK

Size	1120x1580x345 mm
Bore Diameter	1120 mm
Outer Diameter	1580 mm
Width	345 mm
d	1120 mm
D	1 580 mm
B	345 mm
C	345 mm
r min.	9,5 mm
da min.	1 164 mm
Da max.	1 536 mm
ra max.	8 mm
Weight	2 090 Kg
Basic dynamic load rating (C)	15 600 kN
Basic static load rating (C0)	39 000 kN
(Grease) Lubrication Speed	150 r/min
(Oil) Lubrication Speed	190 r/min
Calculation factor (e)	0,21
Calculation factor (Y0)	3,21
Calculation factor (Y1)	3,29

230/1120BK Bearing 2D drawings and 3D CAD models