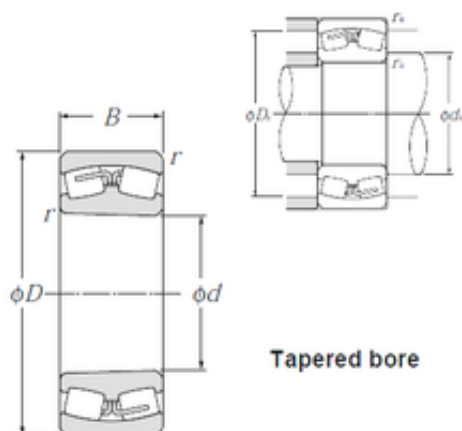




# NTN BEARING-BOWER CORP.

## 380 mm x 620 mm x 243 mm NTN 24176BK30 Spherical Roller Bearings



Bearing No. 24176BK30

24176BK30 Bearing 2D drawings and 3D CAD models

Size	380x620x243 mm
Bore Diameter	380 mm
Outer Diameter	620 mm
Width	243 mm
d	380 mm
D	620 mm
B	243 mm
C	243 mm
r min.	5 mm
da min.	402 mm
Da max.	598 mm
ra max.	4 mm
Weight	287 Kg
Basic dynamic load rating (C)	4 800 kN
Basic static load rating (C0)	9 650 kN
(Grease) Lubrication Speed	450 r/min
(Oil) Lubrication Speed	590 r/min
Calculation factor (e)	0,39
Calculation factor (Y0)	1,69
Calculation factor (Y1)	1,73
Category	Bearings
Inventory	0.0
Manufacturer Name	NTN
Minimum Buy Quantity	N/A
Weight / Kilogram	0



# NTN BEARING-BOWER CORP.

Product Group	
---------------	--

	B04311
--	--------