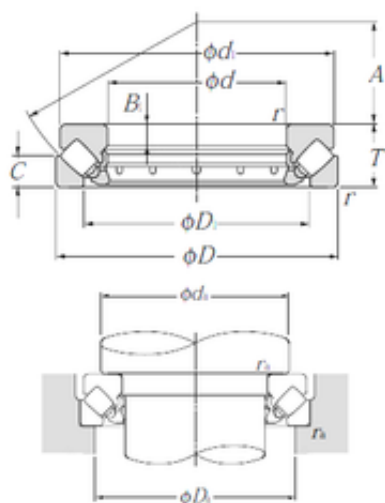




NTN BEARING-BOWER CORP.



NTN 29326 Thrust Bearings

Bearing No. 29326

Size	130x225x58 mm
Bore Diameter	130 mm
Outer Diameter	225 mm
Width	58 mm
d	130 mm
D	225 mm
T	58 mm
B1	19 mm
C	28 mm
d1	215 mm
r min.	2,1 mm
A	76 mm
D1	171 mm
da min.	170 mm
Da max.	195 mm
ra max.	2 mm
Weight	9,76 Kg
Basic dynamic load rating (C)	615 kN
Basic static load rating (C0)	2 100 kN
Category	Roller Bearings
Inventory	0.0
Manufacturer Name	NTN
Minimum Buy Quantity	N/A
Weight / Kilogram	9.65
EAN	4547359290691
Product Group	B04311

29326 Bearing 2D drawings and 3D CAD models



NTN BEARING-BOWER CORP.

bore diameter:	130 mm
bearing material:	Through Hardened Steel
outside diameter:	225 mm
operating temperature range:	-40 to 120 ° C
overall width:	58 mm
maximum rpm:	1500 rpm
cage type:	Machined - Two Piece
separable type:	Separable Bearing
enclosure:	Open
fillet radius:	2.1 mm
cage material:	Brass
series:	293
static load capacity:	2100000 N
manufacturer product page:	Click here
dynamic load capacity:	615000 N