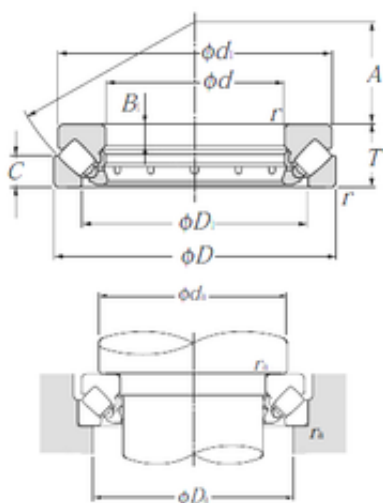




NTN BEARING-BOWER CORP.

NTN 29392 Thrust Bearings

Bearing No. 29392



29392 Bearing 2D drawings and 3D CAD models

Size	460x710x150 mm
Bore Diameter	460 mm
Outer Diameter	710 mm
Width	150 mm
d	460 mm
D	710 mm
T	150 mm
B1	51 mm
C	72 mm
d1	685 mm
r min.	6 mm
A	257 mm
D1	567 mm
da min.	575 mm
Da max.	630 mm
ra max.	5 mm
Weight	221 Kg
Basic dynamic load rating (C)	4 200 kN
Basic static load rating (C0)	18 500 kN