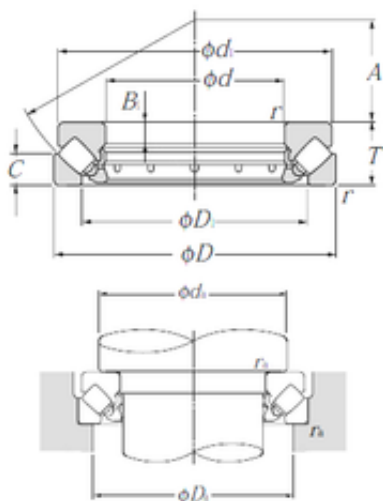




# NTN BEARING-BOWER CORP.

## NTN 29452 Thrust Bearings

Bearing No. 29452



29452 Bearing 2D drawings and 3D CAD models

Size	260x480x132 mm
Bore Diameter	260 mm
Outer Diameter	480 mm
Width	132 mm
d	260 mm
D	480 mm
T	132 mm
B1	48 mm
C	64 mm
d1	460 mm
r min.	6 mm
A	154 mm
D1	357 mm
da min.	360 mm
Da max.	405 mm
ra max.	5 mm
Weight	108 Kg
Basic dynamic load rating (C)	2 740 kN
Basic static load rating (C0)	10 000 kN
Category	Roller Bearings
Inventory	0.0
Manufacturer Name	NTN
Minimum Buy Quantity	N/A
Weight / Kilogram	107
Product Group	B04311
bore diameter:	260 mm



## NTN BEARING-BOWER CORP.

maximum rpm:	670 rpm
outside diameter:	480 mm
separable type:	Separable Bearing
overall width:	132 mm
fillet radius:	6 mm
operating temperature range:	-40 to 120 ° C
series:	294
static load capacity:	10000000 N
cage type:	Machined - Two Piece
bearing material:	Through Hardened Steel
enclosure:	Open
cage material:	Brass
manufacturer product page:	<a href="#">Click here</a>
dynamic load capacity:	2740000 N