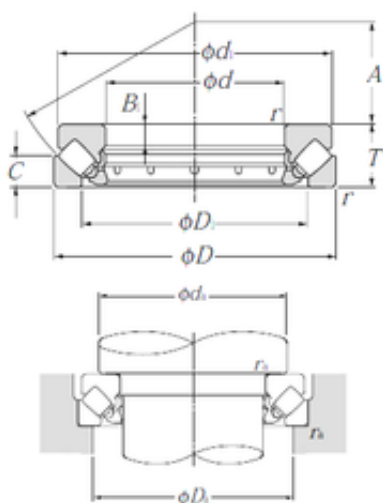




NTN BEARING-BOWER CORP.



NTN 29476 Thrust Bearings

Bearing No. 29476

| | |
|-------------------------------|-----------------|
| Size | 380x670x175 mm |
| Bore Diameter | 380 mm |
| Outer Diameter | 670 mm |
| Width | 175 mm |
| d | 380 mm |
| D | 670 mm |
| T | 175 mm |
| B1 | 63 mm |
| C | 85 mm |
| d1 | 640 mm |
| r min. | 7,5 mm |
| A | 230 mm |
| D1 | 504 mm |
| da min. | 510 mm |
| Da max. | 575 mm |
| ra max. | 6 mm |
| Weight | 267 Kg |
| Basic dynamic load rating (C) | 4 900 kN |
| Basic static load rating (C0) | 19 700 kN |
| Category | Roller Bearings |
| Inventory | 0.0 |
| Manufacturer Name | NTN |
| Minimum Buy Quantity | N/A |
| Weight / Kilogram | 266.608 |
| Product Group | B04311 |
| bore diameter: | 380 mm |

29476 Bearing 2D drawings and 3D CAD models



NTN BEARING-BOWER CORP.

| | |
|------------------------------|----------------------------|
| bearing material: | Through Hardened Steel |
| outside diameter: | 670 mm |
| operating temperature range: | -40 to 120 ° C |
| overall width: | 175 mm |
| maximum rpm: | 470 rpm |
| cage type: | Machined - Two Piece |
| separable type: | Separable Bearing |
| enclosure: | Open |
| fillet radius: | 7.5 mm |
| cage material: | Brass |
| series: | 294 |
| static load capacity: | 19700000 N |
| manufacturer product page: | Click here |
| dynamic load capacity: | 4900000 N |