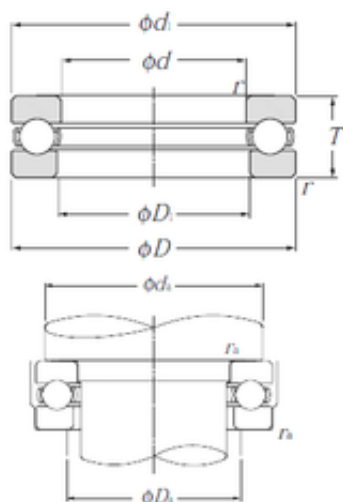




NTN BEARING-BOWER CORP.



NTN 51140 Thrust Bearings

Bearing No. 51140

Size	200x250x37 mm
Bore Diameter	200 mm
Outer Diameter	250 mm
Width	37 mm
d	200 mm
D	250 mm
T	37 mm
d1	247 mm
r min.	1,1 mm
D1	203 mm
da min.	230 mm
Da max.	220 mm
ra max.	1 mm
Weight	3,92 Kg
Basic dynamic load rating (C)	172 kN
Basic static load rating (C0)	675 kN
(Grease) Lubrication Speed	960 r/min
Category	Thrust Ball Bearing
Inventory	0.0
Manufacturer Name	NTN
Minimum Buy Quantity	N/A
Weight / Kilogram	3.743
Product Group	B00308
Rolling Element	Ball Bearing
Thrust Bearing	Yes
Single or Double Direction	Single Direction

51140 Bearing 2D drawings and 3D CAD models



NTN BEARING-BOWER CORP.

Banded	No
Cage Material	Steel
Precision Class	ABEC 1 ISO P0
Component Description	Roller Assembly Plus Raceways
Other Features	Single Row With Flat Seat
Long Description	200MM Bore 1; 203MM Bore 2; 250MM Outside Diameter; 37MM Height; Ball Bearing; Single Direction; Not Banded; Steel Cage; ABEC 1 ISO P0 Precision
Inch - Metric	Metric
Category	Thrust Ball Bearings
UNSPSC	31171552
Harmonized Tariff Code	8482.10.50.08
Noun	Bearing
Keyword String	Ball Thrust
Manufacturer URL	http://www.ntnamerica.com
Weight / LBS	8.64212
Bore 1	7.874 Inch 200 Millimeter
Outside Diameter	9.843 Inch 250 Millimeter
Height	1.457 Inch 37 Millimeter
Bore 2	7.992 Inch 203 Millimeter
Overall Height with Aligning Washer	0 Inch 0 Millimeter
bore diameter:	200 mm
dynamic load capacity:	172000 N
outside diameter:	247 mm
operating temperature range:	-40 to 120 ° C
overall width:	37 mm
maximum rpm:	1400 rpm



NTN BEARING-BOWER CORP.

thrust bearing type:	Single-Direction
bearing material:	High Carbon Chrome Steel
outside diameter design:	Straight
cage material:	Steel
separable or banded:	Separable
fillet radius:	1.1 mm
precision rating:	ISO Class 0
manufacturer product page:	Click here
static load capacity:	675000 N